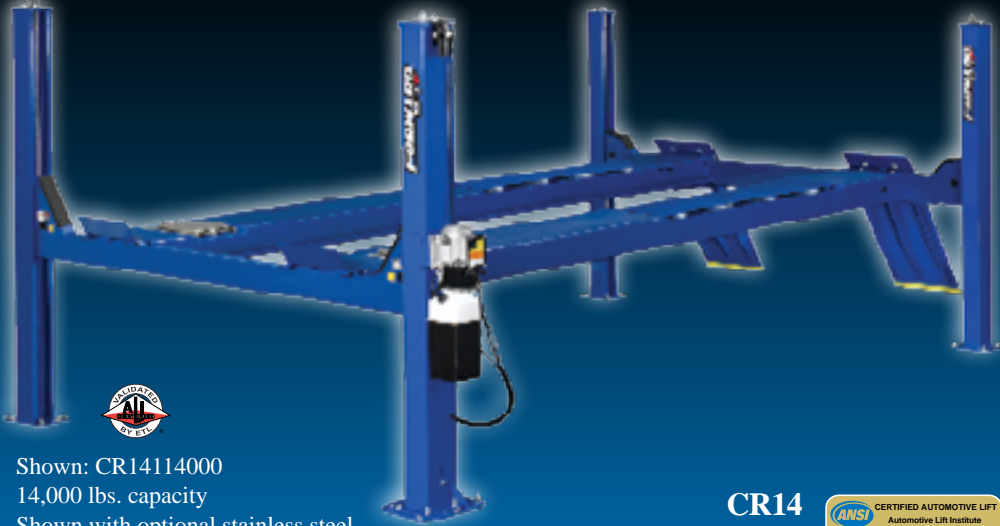


# FOUR POST LIFTS

## RUNWAY ALIGNMENT LIFTS

**14,000  
POUNDS  
CAPACITY**



Shown: CR14114000  
14,000 lbs. capacity  
Shown with optional stainless steel  
radius gauges and rear wheel slip plates

**CR14  
CRO14  
OR14**

**4 Post Series are  
Gold Certified Lifts**



**Engineering Excellence**  
Forward's U.S. engineers have over 29 years of combined experience designing automotive lifts for service and repair shops. Forward's philosophy is to own our designs rather than use someone else's off the shelf product.

**Product Integrity**  
21st century design tools allow us to create, control and validate our designs to ensure maximum performance. Forward lifts are rigorously tested to meet quality and durability standards. All product families are proof load tested to 1½ times rated capacity and rigorously cycle tested.

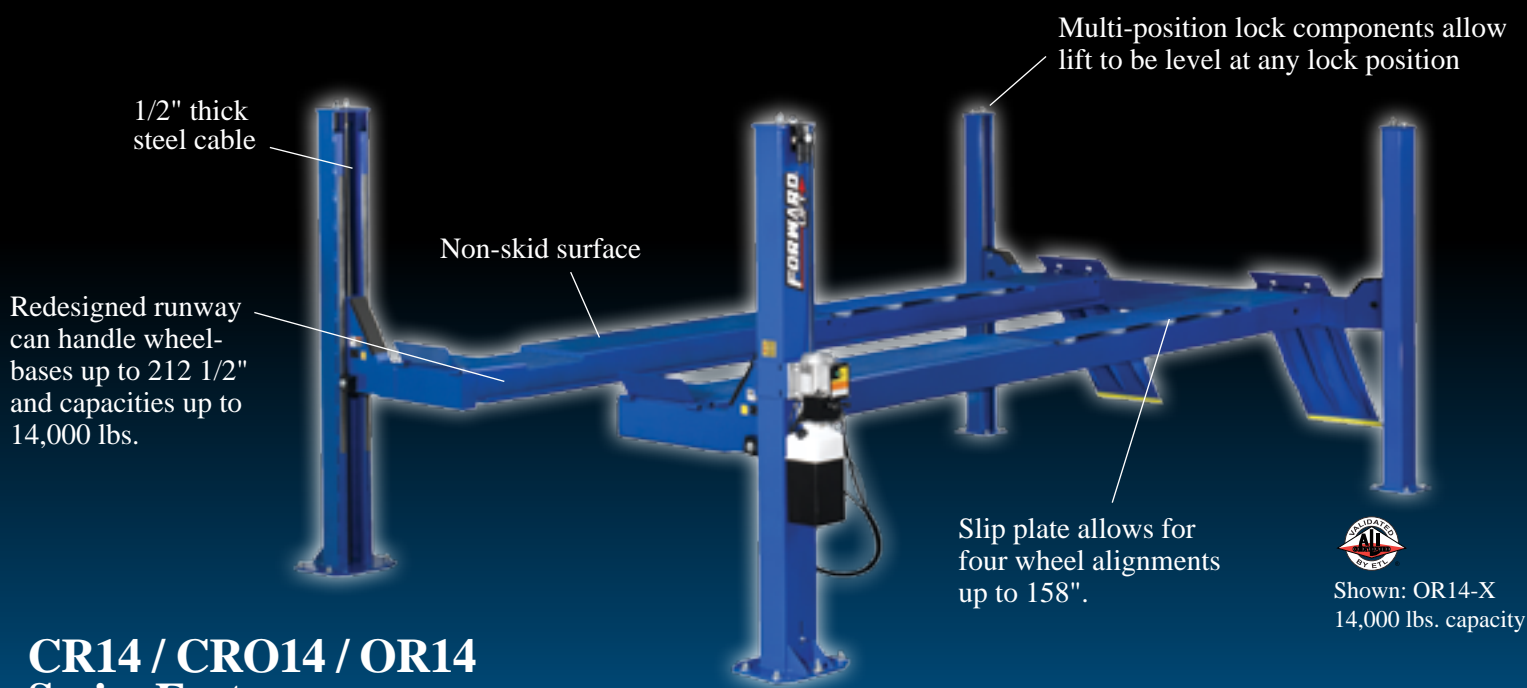


Shown: CRO14-X  
14,000 lbs. capacity

Shown with optional  
rolling jacks and optional  
bolt-on alignment kit

*Engineered to perform...Built to last!*

**FORWARD**  
**LIFT**



## CR14 / CRO14 / OR14 Series Features

- 14,000 lbs. capacity
- Single Point air latch release system
- Multi-position lock components allow lift to be level at any lock position
- Rear wheel slip plates are standard (OR14)
- Internal airline standard (OR14)
- Open front design (CRO14 / OR14)
- Front work step standard feature (OR14)



### Four-Post Options:

- Internal Air Line Kit
- Turning Radius Gauges
- Bolt-on alignment kit
- Rolling Bridge Jacks - up to 7,000 lbs. capacity
- Power Unit Cover
- 3-Phase Motors
- 30 gallon oil drain pan
- Drive-through ramps



Shown: OR14-X  
14,000 lbs. capacity with  
2-foot runway extension

\*Optional 3-phase available. Specifications subject to change without notice or liability

Alignment Lift Specifications	CR14 CR14-X X= 2 ft. runway extension	CRO14 CRO14EL2	OR14S OR14 OR14EL2
Capacity	14,000 lbs.	14,000 lbs. Open Front Lift	14,000 lbs. Open Front Lift
Rise	75-3/4"	73-3/4"	73-3/4"
Maximum Wheelbase	176" 197"	192-1/2" 212-1/2"	158-1/2" 192-1/2" 212-1/2"
Maximum 2-Wheel Alignment	161" 183"	188" 208"	153" 188" 208"
Maximum 4-Wheel Alignment	155" (67" min)	158" 158"	142" 158" 158"
Overall Length	20'-6" 22'-6"	22' 23'-8"	19'-2" 22' 23'-8"
Overall Width	11'-5-1/4"	11'-7"	11'-7"
Width Inside Columns	114-1/4"	117-1/2"	117-1/2"
Length between Columns	189-1/4"	205" 225"	171" 205" 225"
Overall Height	7'-4-3/4"	7'-11-3/16"	7'-11-3/16"
Runway Width	20"	20"	20"
Runway Height	7"	7"	7"
Width Between Runways	43"	43"	43"
Rise Time	65 seconds	65 seconds	65 seconds
Voltage/Amps	208/230v, 20 amps	208/230v, 20 amps	208/230v, 20 amps
Motor/Phase	2 HP/1Ø*	2 HP/1Ø*	2 HP/1Ø*
Minimum Bay Size	15' X 25' 15' X 27'	15' X 26' 15' X 28'	15' X 23' 15' X 26' 15' X 28'



Forward Lift  
996 Industrial Drive  
Madison, IN 47250

Phone: 800.423.1722  
Fax: 812.273.7329  
www.forwardlift.com



Lit# Forward 4Post\_Align\_Cutsheet\_2011.07

©2011 Vehicle Service Group<sup>SM</sup>  
Printed in the U.S.A. All rights reserved. Unless otherwise indicated, Forward Lift, Vehicle Service Group<sup>SM</sup>, Dover and all other trademarks are property of Dover Corporation and its affiliates.